



GENERAL OCEANICS

1295 N.W. 163rd Street

Miami, FL 33169

(305)621-2882

www.generaloceanics.com

sales@generaloceanics.com

MODEL 1080 GO-FLO WATER SAMPLING BOTTLES



Non-metallic close-open-close sampling bottles. The bottle descends closed, then opens at 10 meter depth due to hydrostatic pressure. The bottle stays open until the push rod is struck by the GO Devil Messenger (1000-MG) when individually or serially attached to hydrocable. Sequential closure by remote command with model 1015 or 1018 Rosette multibottle array. The Go-flo sampling bottle avoids sample contamination at the surface, internal spring contamination, loss of sample on deck and exchange of water from different depths.

SPECIFICATIONS:

Sizes - Available in 1.2L, 1.7L, 2.5L, 5L, 8L, 10L, 12L, 20L and 30L capacities.

Materials - PVC housing, end balls, pulleys, handles (on 5L-30L sizes), cable clamp blocks (aluminum on 20 and 30L). Delrin push rod, air vent screw and petcock. Stainless steel wire clamp bolts and wing nuts. Pulley actuating band of latex tubing. Viton O-ring seals. Kevlar lanyards with nylon jacket. Maximum working temperature is 60°C (140°F).

End closure – PVC balls and end plates with Viton O-rings and Sarlink diaphragm seals.

Drainage - Air vent thumbscrew at top, petcock near base (.173" orifice). 20L and 30L bottles equipped with second petcock (.375" orifice) for rapid drainage.

Mounting - All bottles will accept wire up to 1/4" (6.35mm).

STANDARD ORDER includes bottle, wire clamp bolts with wing nuts, latex tubing, Kevlar wire mounting lanyards with monofilament extension for Rosette use. Specify size when ordering. GO Devil Messenger ordered separately.

AVAILABLE OPTIONS:

Silicone O-rings

Teflon coating, air vent screw and petcock

Special wire clamp bolts and mounting blocks for oversize wire

Special air vent pressure release valve for injection of inert gas

Special Teflon stopcock for connection of 3/8"OD tubing

Stainless steel pulley spring with Teflon or epoxy coating (in place of latex)

Storage racks

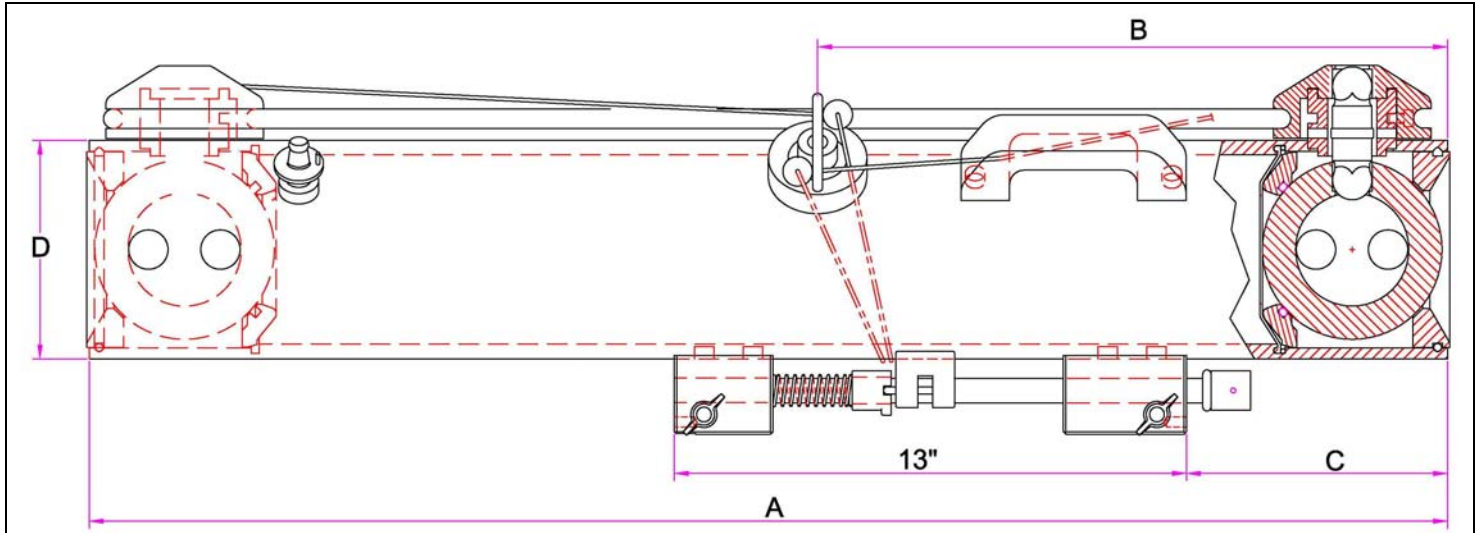
Borehole cages for sampling in arctic areas

General Oceanics, Inc., 1295 Northwest 163rd Street, Miami, FL 33169 (305) 621-2882

www.generaloceanics.com - sales@generaloceanics.com MADE IN USA SINCE 1966



MODEL 1080 GO-FLO DIMENSIONS AND WEIGHTS



		1.7L	2.5L	5L	8L	10L	12L	20L	30L
A	in	24.75	32.5	26.5	34.5	41.0	48.0	38.34	50.34
	mm	629	826	674	877	1042	1220	974	1279
B	in	16.0	16.0	16.0	16.0	20.125	20.125	22	22
	mm	407	407	407	407	512	512	559	559
C	in	5.74	5.74	6.63	6.63	6.75	6.75	7.865	7.865
	mm	146	146	169	169	172	172	200	200
D	in	3.5	3.5	5.56	5.56	5.56	5.56	8.63	8.63
	mm	89	89	142	142	142	142	218	218
Empty weight	lbs	8.5	9.5	13.5	16.2	21.2	23.6	41.0	47.0
	Kg	3.86	4.31	6.13	7.35	9.62	10.7	18.6	21.4
Full weight	lbs	12.5	15.2	24.9	34.4	43.9	50.9	86.5	115.2
	Kg	5.7	6.9	11.3	15.6	19.9	23.1	39.3	52.3

SPARES/REPAIR KITS:

Bottle repair kits (including latex tubing, hardware, PVC cement), O-ring kits, Maintenance Program MRP-2 available. Consult General Oceanics for details.

OTHER AVAILABLE ASSEMBLIES AND OPTIONS:

- 1080T- Trace-metal ready bottle equipped with Teflon coated housing and springs, Teflon air vent and petcock
- Manual override of pressure valve to allow opening beyond 10 meter depth (order K1080-CAM for Rosette use, K1080-CAM2 for wire mounted use)
- 1080R – Go-flo bottle with reversing thermometer mounting rack (thermometers no longer available)
- 1080V - Vertical wire mounting assembly for Go-flo bottle

Consult General Oceanics for additional requirements.

For prices and delivery please e-mail sales @generaloceanics.com.

Technical data subject to change without notice.