

PROTECTED WATER DATA BUOY



SOSI's Protected Water Data Buoys are typically deployed in locations with low to moderate sea states. They are light weight and extremely tough, self-fending, and virtually unsinkable. The octagonal shape prevents rolling on deck during mooring deployment.

The PWDB is one of a family of SOSI buoys that serve as a base platform for SOSI-integrated sensor and telemetry systems. The PWDB supports Sea-Bird inductive telemetry between underwater sensors and the buoy controller/logger. An optional inductive mooring coupler can be attached to the bridle, providing protection for the IM coupler and cable, and ensuring reliable mechanical and electrical connection to the buoy and long term IM telemetry reliability.

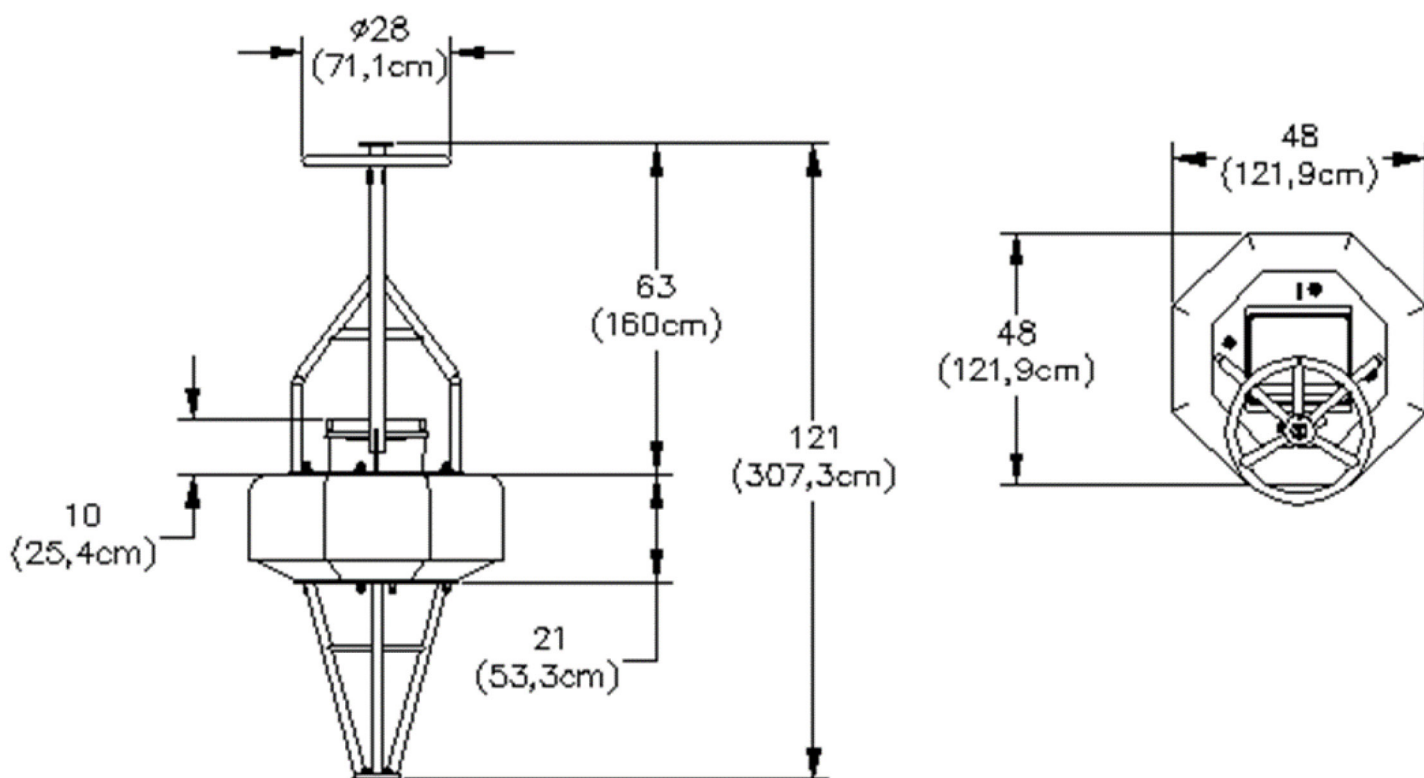
INTEGRATED SYSTEMS - TYPICAL CONFIGURATION OPTIONS

- Buoy Controller/Logger: GPS, Flux Gate Compass, Tilt sensors, 3-axis Accelerometer
- Data Telemetry Modems (application dependent): Cellular, Spread Spectrum RF, Iridium, Wi-Fi
- Oceanographic Sensors: CTDs, Currents, Dissolved Oxygen, CO₂, Chlorophyll, CDOM, Turbidity, PAR
- Meteorological Sensors: Temperature, Barometric Pressure, Wind Speed/Direction, Relative Humidity, Precipitation, PAR, Solar Irradiance

PROTECTED WATER DATA BUOY

SPECIFICATIONS

Gross Displacement:	545 kg (1,200 lb.)
Hull Width:	122 cm (48 in.)
Weight (w/o sensors):	159 kg (350 lb.)
Electronics Compartment:	0.08 m ³ (3.0 ft ³)



OKEANUS SCIENCE & TECHNOLOGY, LLC